



**ECOTEK CANADA PROMOTION TRADE CORPORATION**  
**REGISTERED ADDRESS:**  
 1188 West Georgia Street, Unit 1440, Vancouver, B.C, Canada, V6E 4A2  
 Tel: +1 (778) 928-5580  
 Co. Reg. No.: BC0895460  
 www.ecotek-canada.vn

**ORIGINAL**

## VALVE REGULATED LEAD ACID BATTERY



Our high quality VRLA batteries are developed with state-of-the-art technology.

- Absorbent Glass Mat (AGM) technology
- Long life
- Small size
- No leakage
- Low self discharge
- No water or electrolyte supplement is required
- Maintenance-free
- They have been widely used in UPS, and other kinds of back-up power.

# ECT-UP1275VA16

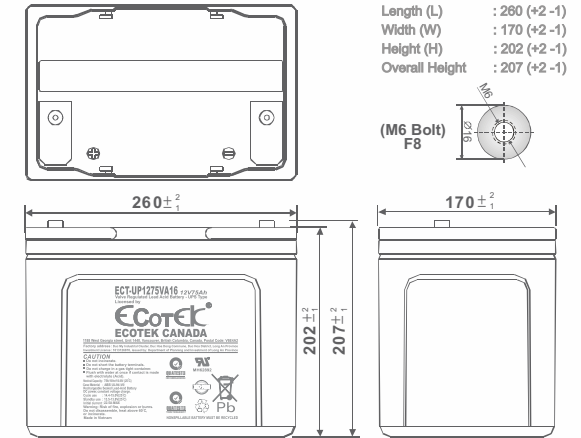
**12V 75Ah**  
**MAINTENANCE-FREE**

### Product



**SẢN PHẨM KHÔNG CẦN BẢO DƯỠNG**  
**ĐƯỢC BẢO HIỂM TRÁCH NHIỆM LÊN ĐẾN 2 TRIỆU USD**

### Dimensions(mm)



### Specifications

<b>Nominal Voltage(V)</b>				<b>12V</b>
<b>Nominal Capacity</b>				
10 hour rate (7.5A to 10.80V)				<b>75Ah</b>
5 hour rate (12.75A to 10.20V)				<b>63.75Ah</b>
1 hour rate (45A to 9.60V)				<b>45Ah</b>
1C (75A to 9.60V)				<b>47.5Ah</b>

**Weight** **Approx. 24.2kg**

**Internal Resistance (at 1KHz)** **Approx. 5m Ω**

**Maximum Discharge Current for 5 seconds:** **900A**

**Short Circuit Current** **1720A**

**Design life** **12 years**

**Case Material** ABS - Flame retardant rating of **UL94 HB**  
 Option: **UL94 V-0**

**Terminal** **F8**

### Charging Methods at 25°C (77°F)

#### Cycle use:

Charging Voltage	<b>14.4 to 15.0V</b>
Coefficient -5.0mV/°C/cell	
Maximum Charging Current	<b>22.5A</b>

#### Standby use:

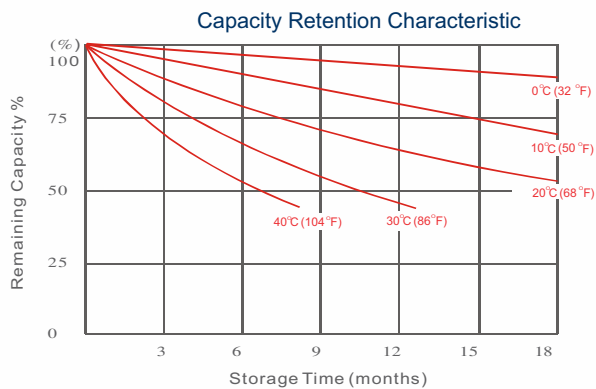
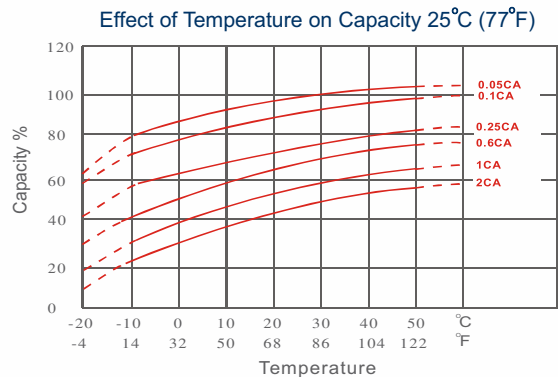
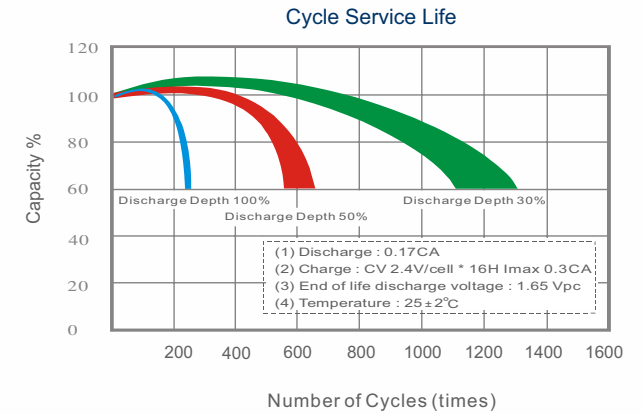
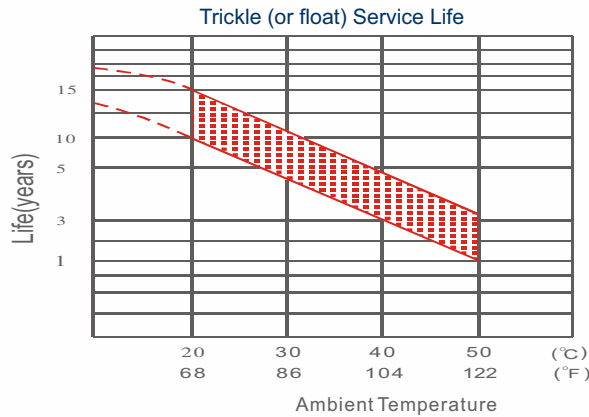
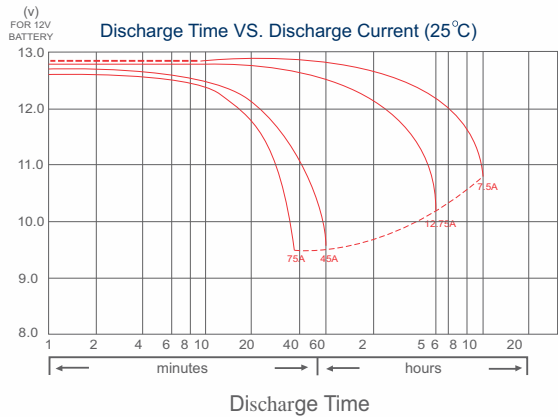
Float Charging Voltage	<b>13.50 to 13.80V</b>
Coefficient -3.0mV/°C/cell	

### Operating Temperature Range

Charge	<b>-15°C(5°F) to 40°C(104°F)</b>
Discharge	<b>-15°C(5°F) to 50°C(122°F)</b>
Storage	<b>-15°C(5°F) to 40°C(104°F)</b>

### Charge Retention (shelf life) at 20°C (68°F)

1 month	<b>98%</b>
3 month	<b>94%</b>
6 month	<b>85%</b>



### - PERFORMANCE DATA

#### - Discharge Rates in Watts to Various End Voltages at 25°C (77°F)

Time	End Voltage	1.85V	1.80V	1.75V	1.70V	1.67V	1.65V	1.60V
5	min	407	429	491	521	537	552	567
10	min	278	294	336	357	368	378	388
15	min	178	225	240	274	280	287	294
30	min	139	149	155	159	160	162	165
60	min	80.8	85.3	87.8	89.8	90.5	91.3	92.3
120	min	47.2	49.8	51.3	52.7	53.2	53.7	54.3
180	min	34.0	35.8	36.8	37.7	38.0	38.3	38.8
240	min	27.8	28.8	29.7	30.3	30.5	30.8	31.2
300	min	24.8	25.3	25.7	26.0	26.2	26.3	26.5
600	min	15.0	15.2	15.3	15.5	15.5	15.6	15.6
1200	min	7.85	7.97	8.07	8.15	8.20	8.23	8.28

#### - Discharge Rates in Amperes to Various End Voltages at 25°C (77°F)

Time	End Voltage	1.85V	1.80V	1.75V	1.70V	1.67V	1.65V	1.60V
5	min	178	214	245	272	281	292	304
10	min	112	143	167	186	192	199	207
15	min	90.5	109	124	138	141	145	150
30	min	63.2	72.6	79.4	84.5	85.6	87.2	89.0
60	min	38.6	41.5	43.3	44.8	45.3	45.9	46.7
120	min	20.2	22.4	23.9	25.0	25.4	25.8	26.3
180	min	15.8	17.4	18.4	19.3	19.6	20.0	20.4
240	min	12.9	13.9	14.7	15.3	15.6	15.9	16.2
300	min	11.8	12.6	13.1	13.4	13.6	13.8	14.1
600	min	7.53	7.62	7.69	7.74	7.76	7.81	7.85
1200	min	3.87	3.93	3.98	4.02	4.03	4.05	4.08

All data on the spec. sheet is an average value:

The tolerance range :  $X < 6\text{min}$ (+15%~-15%),  $6\text{min} \leq X < 10\text{min}$ (+12%~-12%),  $10\text{min} \leq X < 60\text{min}$ (+8%~-8%),  $X \geq 60\text{min}$ (+5%~-5%)

Contents in this data sheet are subject to change for improvement without prior notice to users. For clarifications and updated information, please contact us.

## CÔNG TY NGUYỄN HÀ

**AUTHORIZED REGIONAL MASTER DISTRIBUTOR IN VIETNAM**  
 Address : 3/4 Nguyen Van Thu Street, Dakao Ward, District 1, HCM City  
 Tell : (028) 39.111.701 - Fax: (028) 39.111.700  
 Email : phanphoi@ecotek-canada.vn - dichvu@ecotek-canada.vn  
 Website : www.ecotek-canada.vn Call Center: 1800 1558

### Factory has been assessed and certified as meeting the requirements of:

- \* ISO 14001:2015 Certified by: SGS United Kingdom
- \* ISO 45001:2018 Certified by: SGS Taiwan
- \* TL 9000-H R6.2/R5.7 & ISO 9001:2015 Certified by: SGS-CSTC Standards Technical Services, China
- \* ISO/IEC 17025 :2017 Certified by: Ministry Of Science and Technology Of Viet Nam

### FACTORY ADDRESS:

Duc My Industrial Cluster, Duc Hoa Dong Commune, Duc Hoa District, Long An Province, Viet Nam

INVESTMENT LICENSE No: 1013126870

ISSUED BY: DEPARTMENT OF PLANNING AND INVESTMENT OF LONG AN PROVINCE