

Sensorex DOMA-10 and DOMA-20 4-20mA Dissolved Oxygen Transmitters



Allows for in-line or submersion DO monitoring with 4-20mA output—using DO1200/H (sold separately)

Simple to use: two-wire loop powered

Completely encapsulated/Waterproof

Galvanically isolated

The Dissolved Oxygen Probe consists of a cathode, anode and an electrolyte which are separated from the process fluid by an oxygen permeable membrane. The oxygen passing through the membrane reacts with the cathode, giving up electrons, which in return produces an electrical current. Customers may connect the dissolved oxygen sensor to a PLC or another device that requires a 4-20mA input signal. The DOMA transmitter provides this capability in a low cost and simple package. The built-in electronic circuit converts the DO1200/H sensor's millivolt signal to a 4-20mA signal. Two ranges are available: DOMA-10 (0-100% = 4-20mA) and DOMA-20 (0-200% = 4-20mA).

A separate 12-36-V DC power supply (user supplied) is required to power each DOMA.

Performance Specifications

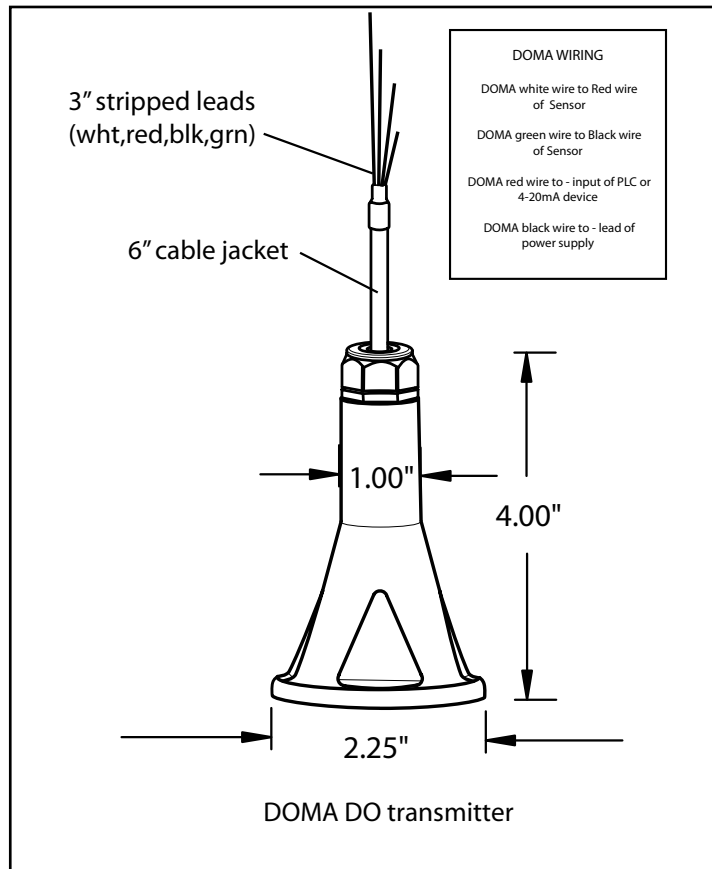
DOMA-10:

Output at 100% Saturation 18-22mA
Output at 0% Saturation <4.5mA

DOMA-20:

Output at 100% Saturation 10-14mA
Output at 200% Saturation 18-22mA
Output at 0% Saturation <4.5mA

Sensorex DOMA-10 and DOMA-20 4-20mA Dissolved Oxygen Transmitters



Ordering Information

Part No. Description

DOMA-10 Blind 4-20mA transmitter for DO1200/H sensors, 4-20mA = 0-100% O2 saturation

DOMA-20 Blind 4-20mA transmitter for DO1200/H sensors, 4-20mA = 0-200% O2 saturation