

PL-ST5 Serial Port Converter / Repeater ADTEK

DESCRIPTION

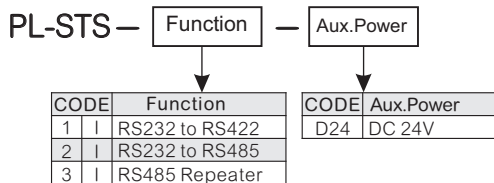
PL-ST5 products provide an ideal physical layer solution on serial port communication conversion. PL-ST5 is an isolated RS-232 to RS-485/RS-422 converter. By using PL-ST5, one can find out the truth of full supports on convenience, efficiency, expansibility, robustness, reliability, simplicities and stability.

FEATURE

- Auto Baud
No need to set the baud rate of RS-485/RS-422
- Auto Detect RS-485/RS-422
Auto detect RS-485/RS-422, no configuration
- Isolation
3KV power module and photo coupler isolation
- Low cost and High Stability
Cheap and stable
- Terminator inside
Direct terminators
- Easy connection
Simple and easy on line connections



ORDERING INFORMATION



TECHNICAL SPECIFICATION

Serial Communication: Auto baud : Max baud rate 115200 bps
 LED indication: SYS: Red high bright round LED
 RX: Green high bright round LED
 TX: Green high bright round LED
 Terminator Resistance: 120Ω
 Isolation: 3KV power module and photo coupler isolation

Power

Power Supply: DC 10~30V
 Power Current: 220mA @ 24V

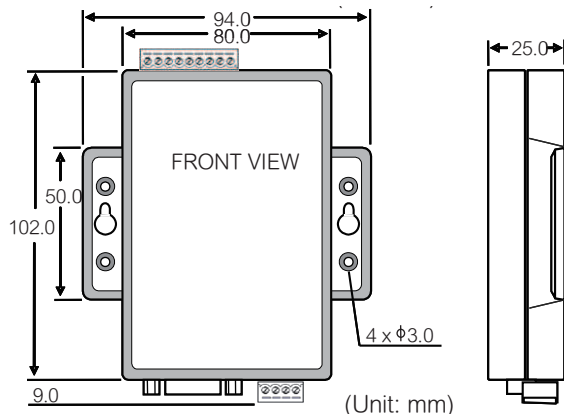
Environmental

Operating temp.: 0~55°C, non-condensing
 Operating relative humidity: 20~95 %RH
 Storage temperature: -10~70°C

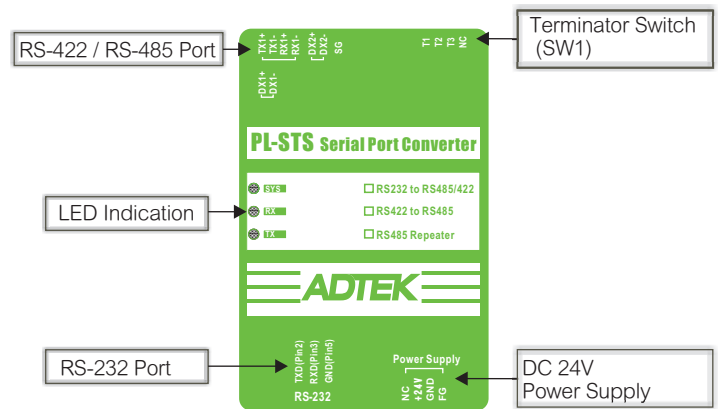
Mechanics

Case Material: ABS fire-protection
 Mounting: Surface mount, wall mount
 Terminal block: Plastic NYLON 66
 Weight: 150g

DIMENSIONS



FRONT PANEL



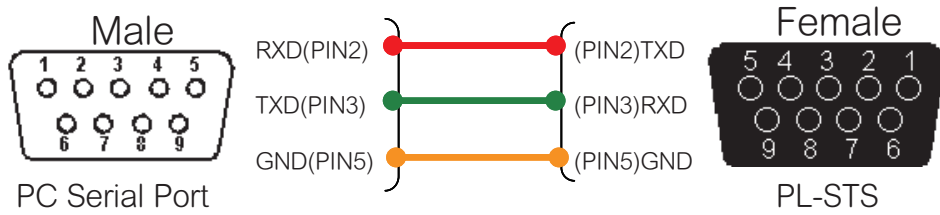
CONFIGURATIONS

Terminator Switch (SW1)		
NC:(S1)		Reserved
T3:(S2)		DX2+~DX2- Terminator (RS-485)
T2:(S3)		RX1+~RX1- Terminator (RS-422)
T1:(S4)		TX1+ ~ TX1- Terminator (RS-422) or DX1+ ~ DX1- Terminator (RS-485)

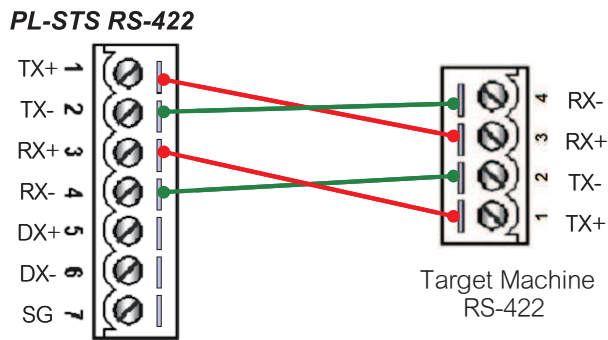
CONNECTION DIAGRAM

RS-232 Connection between PC and PL-ST5

(Use Parallel line)



RS-422 Connection between PL-ST5 and target machine



RS-485 Connection between PL-ST5 and target machine

