

**RF Load 20 Watts Medium Power To 6 GHz Black Anodized Plated Aluminum N Female**

**Electrical Specifications**

Description	Min	Typ	Max	Units
Frequency Range	DC		6	GHz
Impedance		50		Ohms
VSWR			1.2:1	
Input Power (CW)			20	Watts
Input Power (Peak)			250	Watts

**Mechanical Specifications**

<b>Size</b>	
Length	2.6 in [66.04 mm]
Width	1.5 in [38.1 mm]
Weight	0.23678 lbs [107.4 g]

<b>Configuration</b>	
Connector	N Female

**Material Specifications**

Description	Material	Plating
Connector 1 Contact	Beryllium Copper	Gold
Insulation	PTFE	
Body	Brass	Nickel
Housing	Aluminum	Black Anodized

**Environmental Specifications**

<b>Temperature</b>	
Operating Range	-45 to +125 deg C

**Compliance Certifications** (visit [www.FairviewMicrowave.com](http://www.FairviewMicrowave.com) for current document)

RoHS Compliant	Yes
REACH Compliant	12/17/2015

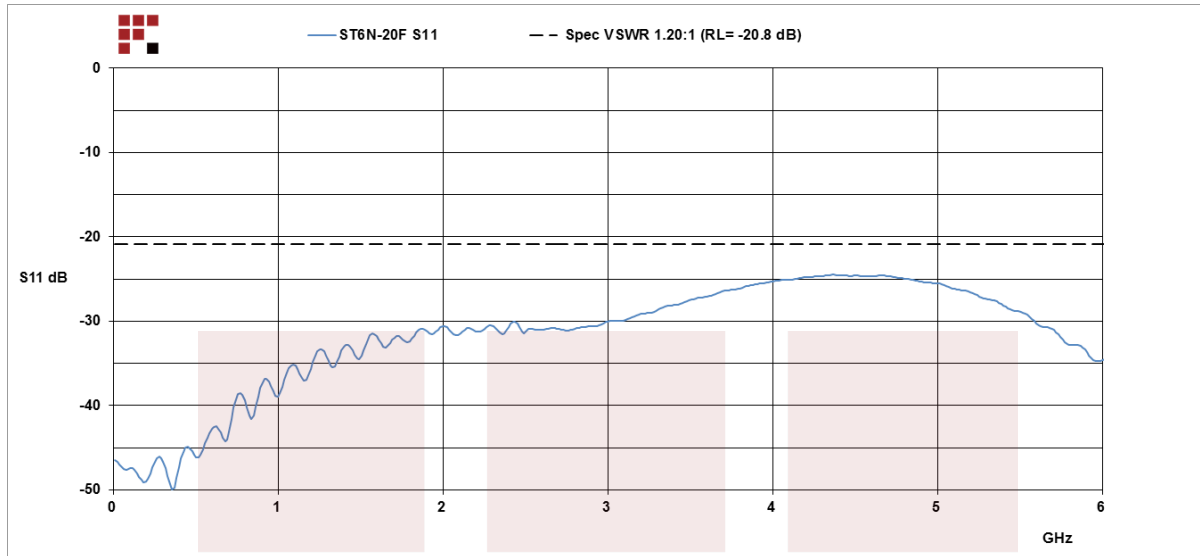
**Plotted and Other Data**

Notes:



Fairview Microwave  
 1130 Junction Dr. #100  
 Allen, TX 75013  
 Tel: 1-800-715-4396 / (972) 649-6678  
 Fax: (972) 649-6689  
[www.fairviewmicrowave.com](http://www.fairviewmicrowave.com)  
[sales@fairviewmicrowave.com](mailto:sales@fairviewmicrowave.com)

**Typical Performance Data**

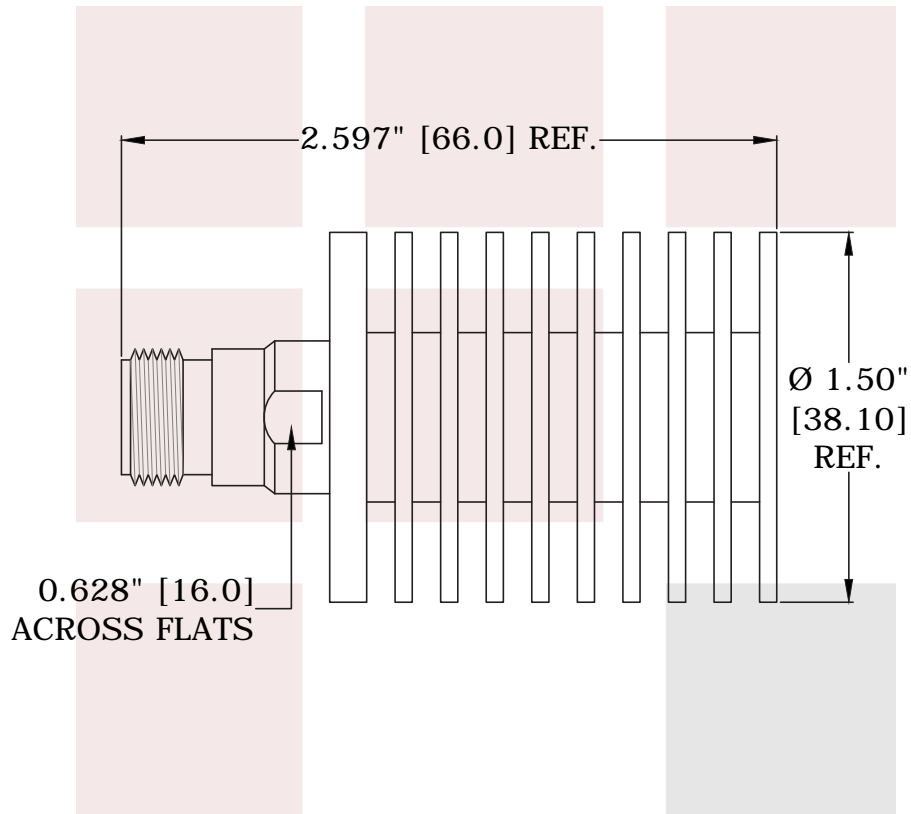


RF Load 20 Watts Medium Power To 6 GHz Black Anodized Plated Aluminum N Female from Fairview Microwave is in-stock and available to ship same-day. All of our RF/microwave products are available off-the-shelf from our ISO 9001:2008 certified facilities in Allen, Texas. Fairview Microwave is RF on-demand.

For additional information on this product, please click the following link: [RF Load 20 Watts Medium Power To 6 GHz Black Anodized Plated Aluminum N Female ST6N-20F](#)

URL: <http://www.fairviewmicrowave.com/rf-load-20-watts-6-ghz-n-female-st6n-20f-p.aspx>

The information contained in this document is accurate to the best of our knowledge and representative of the part described herein. It may be necessary to make modifications to the part and/or the documentation of the part, in order to implement improvements. Fairview Microwave reserves the right to make such changes as required. Unless otherwise stated, all specifications are nominal. Fairview Microwave does not make any representation or warranty regarding the suitability of the part described herein for any particular purpose, and Fairview Microwave does not assume any liability arising out of the use of any part or documentation.



<b>FAIRVIEW MICROWAVE INC.</b> ALLEN, TX 75013 WWW.FAIRVIEWMICROWAVE.COM		NOTES: 1. UNLESS OTHERWISE SPECIFIED ALL DIMENSIONS ARE NOMINAL. 2. ALL SPECIFICATIONS ARE SUBJECT TO CHANGE WITHOUT NOTICE AT ANY TIME. 3. DIMENSIONS ARE IN INCHES [mm].			
TITLE RF Load 20 Watts Medium Power To 6 GHz Black Anodized Plated Aluminum N Female		DWG NO <b>ST6N-20F</b>		CAGE CODE <b>3FKR5</b>	
CAD FILE	020916	SHEET	SCALE	N/A	SIZE A 5568