

# COUPLER N-F's 7-12.4 GHZ

MC4067-XX

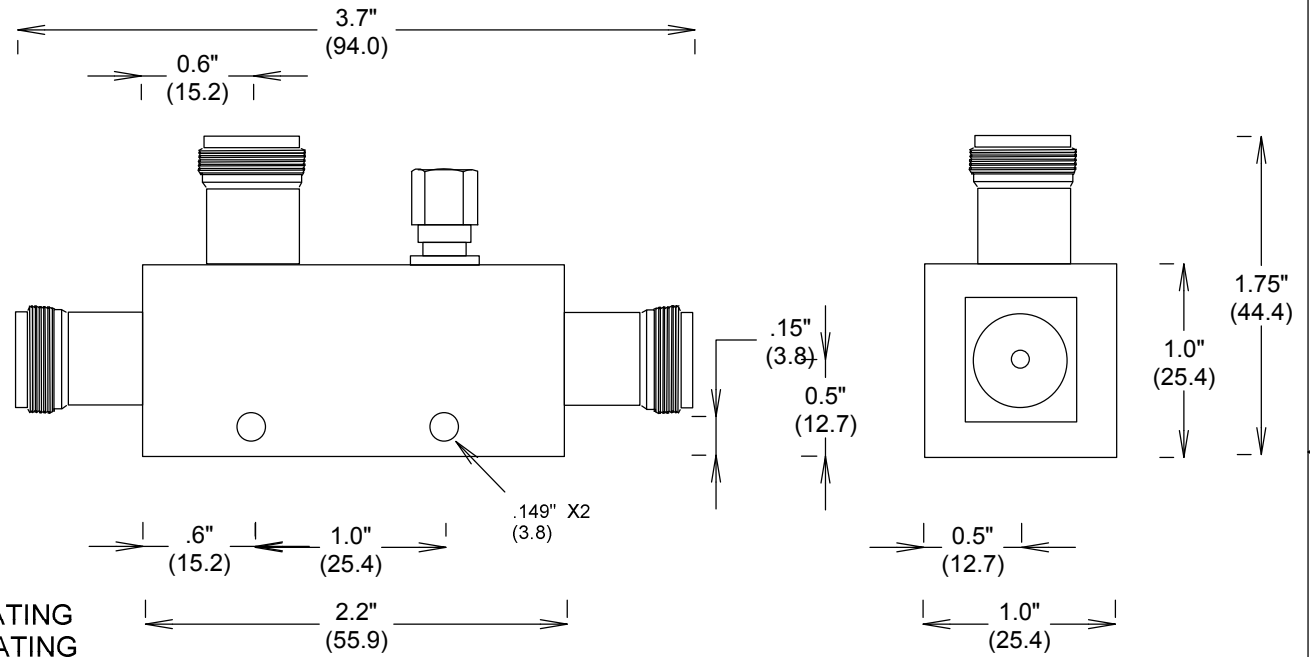
## SPECIFICATIONS

### ELECTRICAL

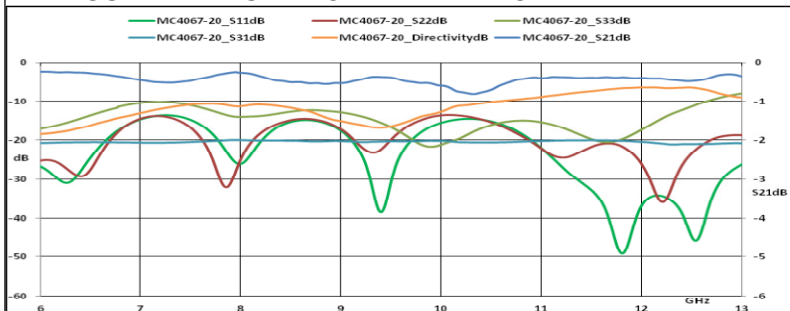
FREQUENCY: 7-12.4 GHZ  
 DIRECTIVITY: 15 DB MIN  
 IMPEDANCE: 50 OHMS  
 VSWR: 1.5:1 MAX , ALL PORTS  
 FLATNESS: +/- 1.25 DB  
 LOSS, THRU LINE: .4 DB

### MATERIALS

BODY: PASSIVATED ALUMINUM  
 CONNECTORS: N-FEMALE, NICKLE PLATING  
 CONNECTOR CONTACTS: BeCu, Au PLATING  
 CONNECTOR DIELECTRIC: TEFLON  
 CONNECTOR INTERFACE: MIL-STD-348A  
 PAINT: BLUE



### MEASUREMENTS BELOW ARE TYPICAL



ALL DIMENSIONS IN inches(MM) Typical

**FAIRVIEW MICROWAVE INC.**

ALLEN, TX 75013 WWW.FAIRVIEWMICROWAVE.COM

TITLE

**COUPLER N-F's 7-12.4 GHZ**

SIZE	CAGE CODE	DWG NO	REV
<b>A</b>	<b>3FKR5</b>	<b>MC4067-XX</b>	<b>A</b>
SCALE	SHEET		