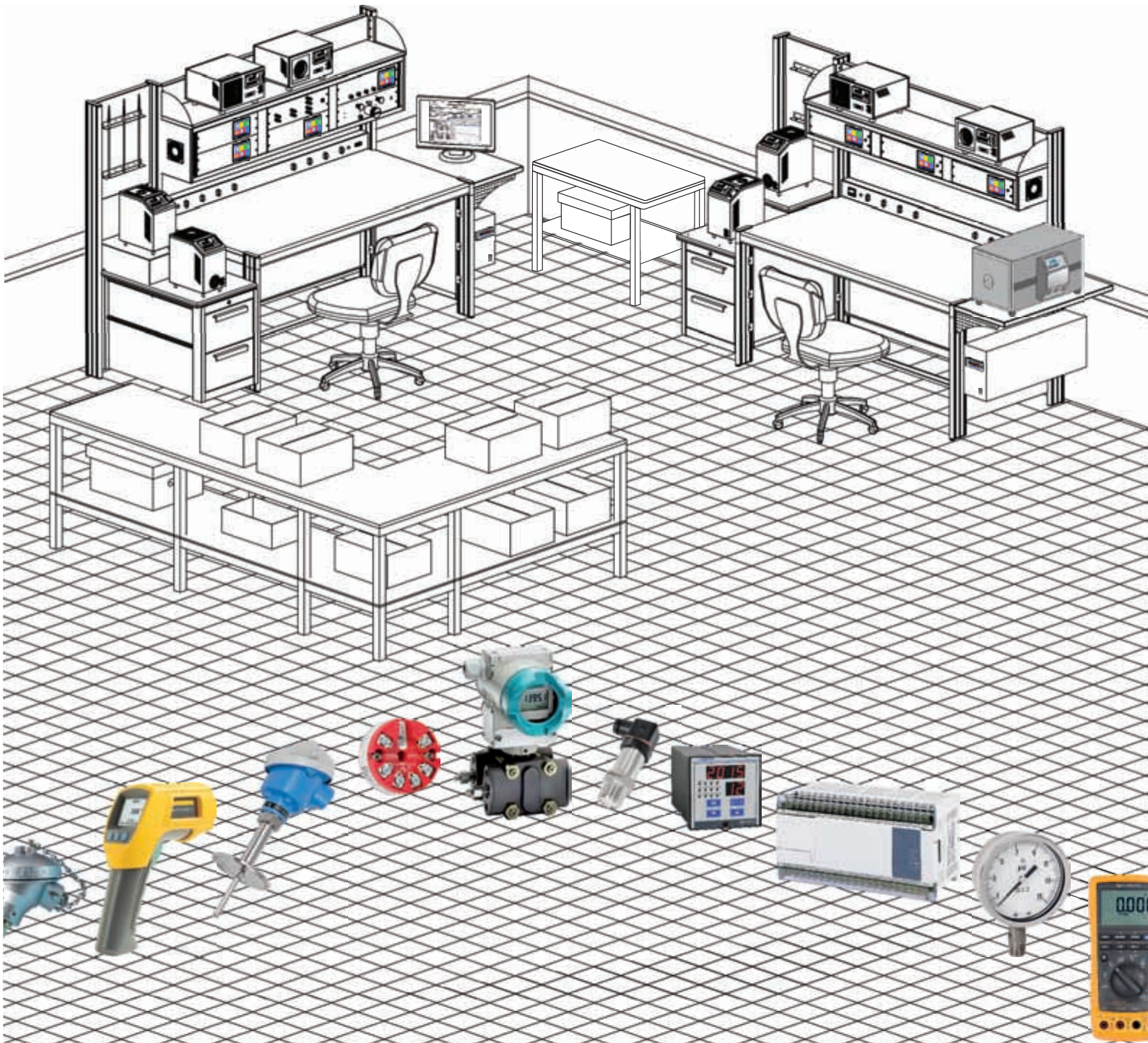


PRESYS Calibration Cell[®]

"The ability to calibrate better at lower costs"



"An Open Platform for Innovative Metrology"

Presys Calibration Cell helps companies to organize better the calibration services, producing, in a user friendly way, compliant certificates, at lower costs.

★ Infrared calibrators



★ Dry Block, Stirred Liquid, Black Body. Metrology grade Temperature Calibrators

★ Process Signals Module



Integrated Modular Calibrators:
Pressure, temperature, electric signals, or tailored to specific customer needs.

All the Calibrators have portable versions, for field use.

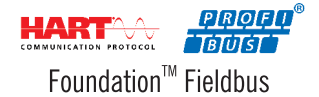
★ Precision Thermometer Module



★ Temperature Control Module



★ Communication Protocol Module



★ Pressure Meter Module



★ Pressure Control Module



■ Multi Level Information System, covering all the aspects of managing and automating the calibration process.

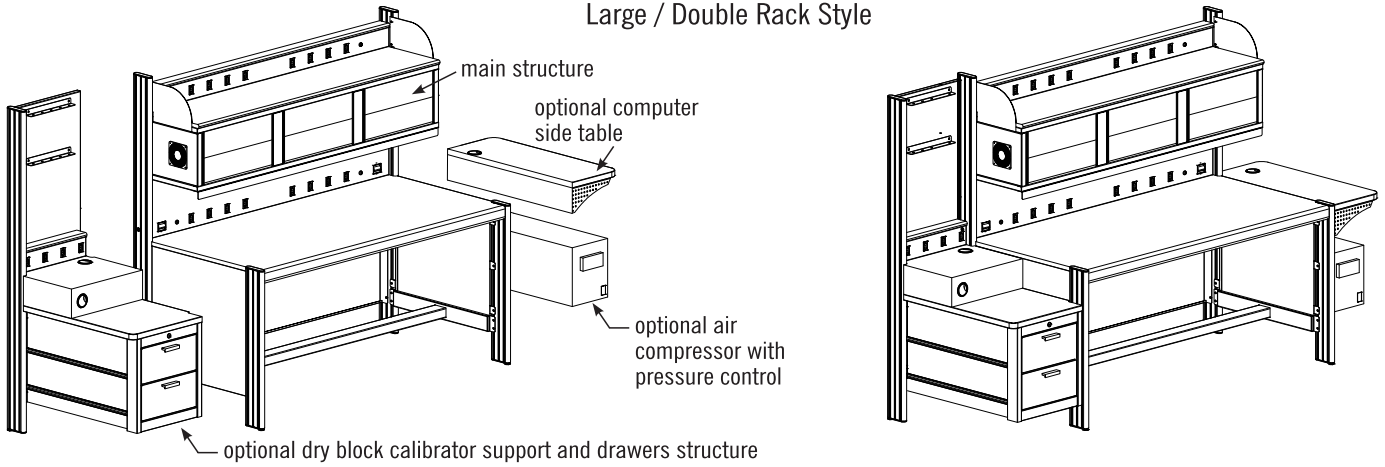
■ .Net user or factory made plugins.

```
namespace Presys.Calibrators.MasterCal.UI
{
    internal class PressureGenerator
    {
        private Thread _listenerThread;
        private Presys.Calibrator.Network.NetworkConnect.Listener _listener;
        private String _ip;
        private String _inputValue;
        /*Comm events*/
        internal event EventHandler<EventArgs> ValueChanged;
        internal event EventHandler<EventArgs> Connlost;
        internal String SetInput
    }
}
```

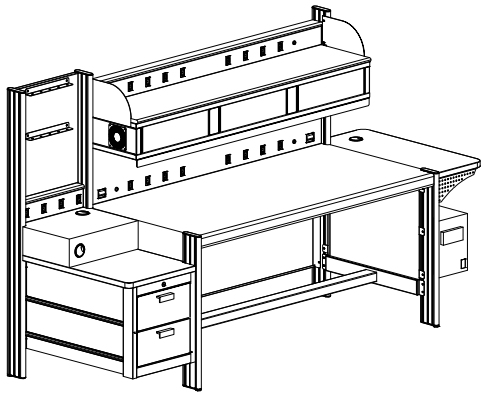
■ Common Information Infrastructure: Ethernet, Wireless, USB, TCP/IP - Built-in Web Server
Modbus, Hart®, Profibus®, Foundation™ Fieldbus.

Cell Styles: Large, Small, Single or Double Rack Style

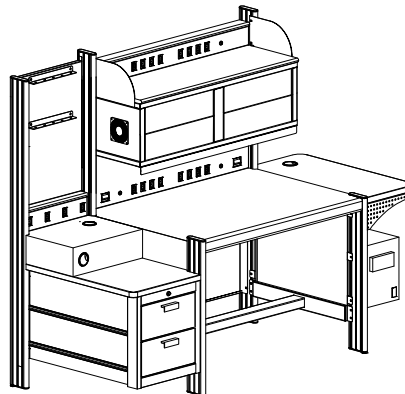
Large / Double Rack Style



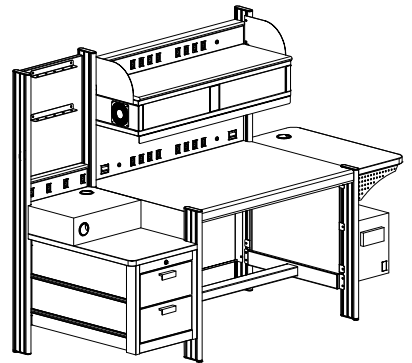
Large / Single Rack Style



Small / Double Rack Style



Small / Single Rack Style



For full specifications visit www.calibrationcell.com

Due to our program of continual development and improvement, we reserve the right to amend or alter characteristics and design without prior notice.