

N MALE TO F FEMALE IMPEDANCE MATCHING PAD

SI1550

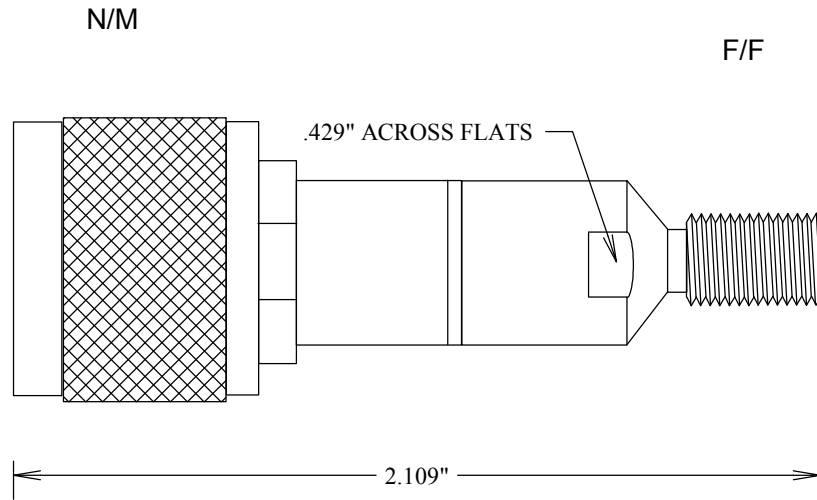
SPECIFICATIONS

ELECTRICAL:

FREQUENCY: 0-2 GHZ
 IMPEDANCE: N: 50 OHMS
 F: 75 OHMS
 VSWR: 1.30:1 MAX

MECHANICAL:
 ROHS COMPLIANT

MATERIALS:
 INSULATOR: PTFE
 CONTACT BODY: BRASS
 BODY: BRASS
 GASKET: SILICON
 CONTACT PIN (N): BRASS
 CONTACT PIN (F): PHOSPHOR BRONZE



				FAIRVIEW MICROWAVE INC.	
				ALLEN, TX 75013 WWW.FAIRVIEWMICROWAVE.COM	
				TITLE	
				N MALE TO F FEMALE IMPEDANCE MATCHING PAD	
SIZE	CAGE CODE	DWG NO	REV		
A	3FKR5	SI1550			
SCALE			SHEET		